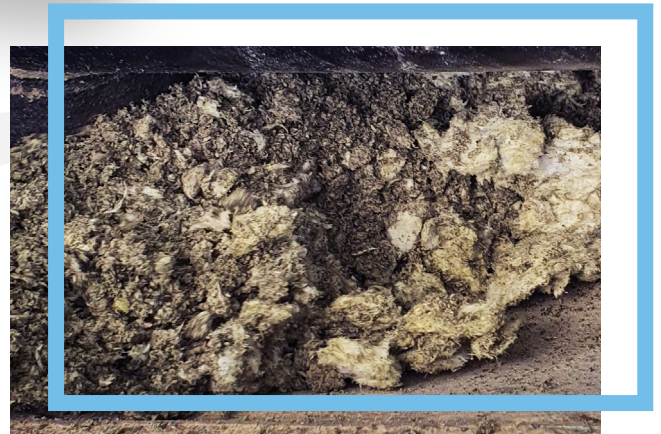
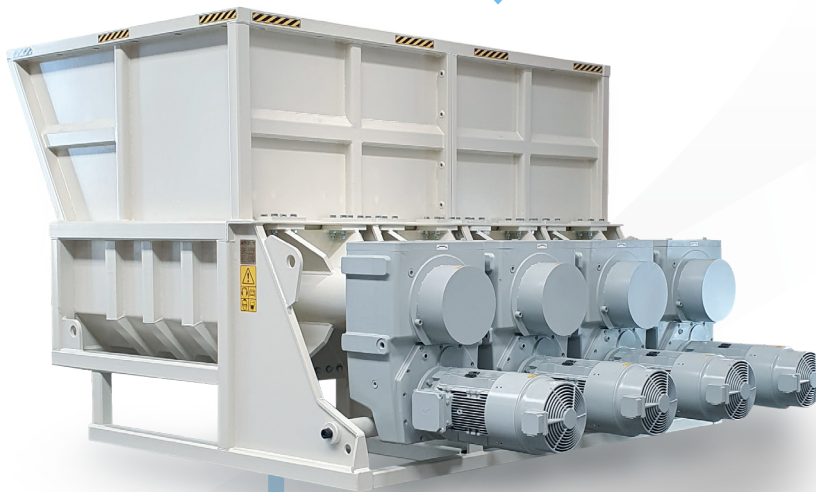
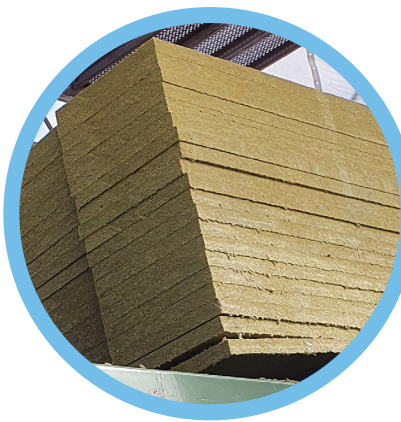


# ACTA

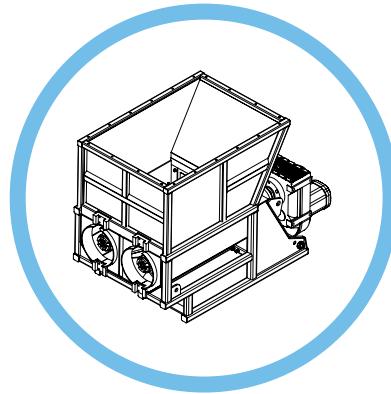
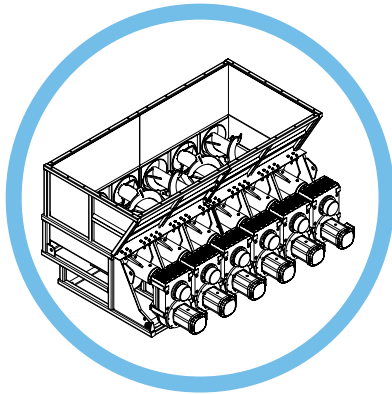
## A solution for insulation material

### CRUSHING INSULATION MATERIALS

Mineral wool, glass wool and similar insulation materials are unique in that, under the right conditions, they can be reused again and again. Recycling alleviates the need for virgin raw materials, while simultaneously reducing the amount of waste going to landfill.



The ACTA machine is filled with insulation material. The crusher breaks down the material into smaller pieces before further processing.



## EFFECTIVE RECYCLING EFFORTS

ACTA machines are unparalleled in their capacity to crush and break open insulation materials. This includes scrap and residue from the production of the material itself, as well as materials collected

from construction sites. Thus, after using an ACTA machine to process the materials, they may be recycled for production or stored for later use.

TECHNICAL DATA		AR-2	AR-4	AR-6
<b>DIMENSIONS</b>	Height	2253 mm	2253 mm	2253 mm
	Length	3364 mm	3364 mm	3364 mm
	Width	1630 mm	3030 mm	4430 mm
	Hopper volume	3,5 m <sup>3</sup>	6,5 m <sup>3</sup>	10 m <sup>3</sup>
	Total weight	6.200 kg	11.500 kg	16.500 kg
<b>CAPACITIES</b>	Depending on density of the material/bales	Approx. 2-4 T/h	Approx. 4-6 T/h	Approx. 6-8 T/h
<b>ROTOR</b>	Number	2	4	6
	Length	1600 mm	1600 mm	1600 mm
	Diameter	500 mm	500 mm	500 mm
	RPM/Torque pr screw	12rpm/15.000 Nm	12rpm/15.000 Nm	12rpm/15.000 Nm
	Material	Steel	Steel	Steel
<b>GEARMOTOR</b>	Number	2	4	6
	Electrical data	18,5 kW, 400 V	18,5 kW, 400 V	18,5 kW, 400 V
	Connection	50 Hz, 58 Amp	50 Hz, 58 Amp	50 Hz, 58 Amp