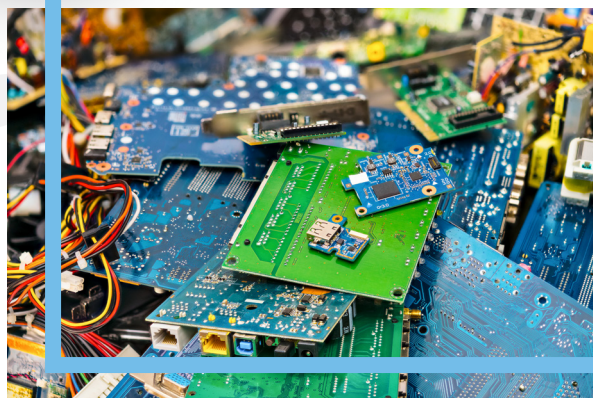
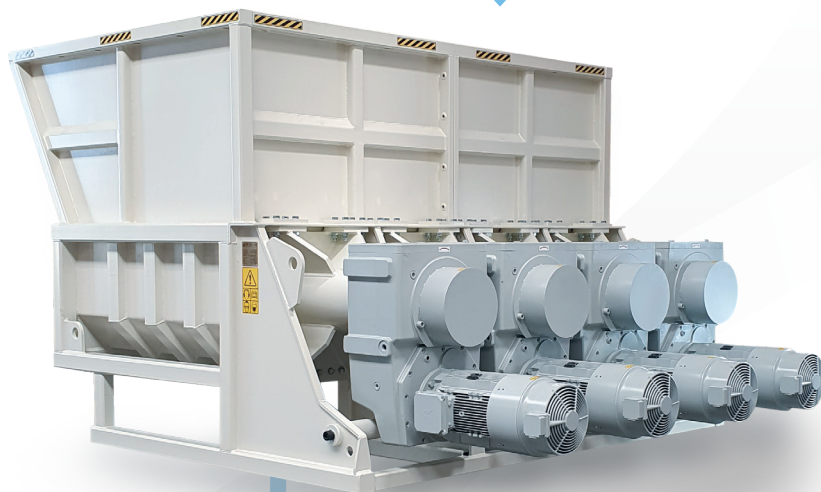
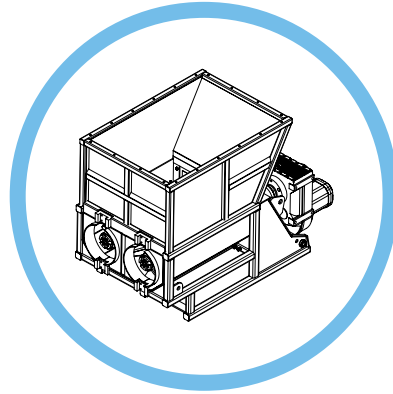
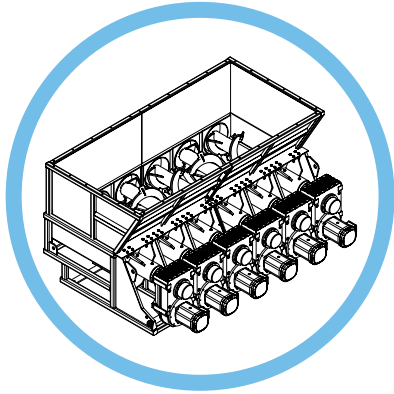


# ACTA

## A solution for mixed waste



The ACTA machine is filled with mixed waste - e.g. electronic scrap. The crusher breaks down the waste before further processing.



## MIXED WASTE – READY FOR RECYCLING

The ACTA crusher is essential for crushing different types of mixed waste, whether it be from industry, business and households. One example is electronic waste, where individual parts can be highly valuable if they are recycled.

Crushing reduces the volume and allows for subsequent separation into plastics, synthetics and metals.

By collecting, breaking down and sorting the different materials found in various forms of mixed waste, we can significantly reduce the drain on resources, while

simultaneously contributing towards the EU targets for electronic waste, as well as other forms of mixed waste.

Our consumption of electronic products is increasing rapidly, and electronics are becoming an essential part of more and more product types. This also means that we are producing ever-increasing amounts of electronic waste. The better we can process discarded electronic products and break them down into recyclable fractions, the less we burden the environment.

TECHNICAL DATA		AR-2	AR-4	AR-6
<b>DIMENSIONS</b>	Height	2253 mm	2253 mm	2253 mm
	Length	3364 mm	3364 mm	3364 mm
	Width	1630 mm	3030 mm	4430 mm
	Hopper volume	3,5 m <sup>3</sup>	6,5 m <sup>3</sup>	10 m <sup>3</sup>
	Total weight	6.200 kg	11.500 kg	16.500 kg
<b>CAPACITIES</b>	Depending on the material/bales	Approx. 2-4 T/h	Approx. 4-6 T/h	Approx. 6-8 T/h
<b>ROTOR</b>	Number	2	4	6
	Length	1600 mm	1600 mm	1600 mm
	Diameter	500 mm	500 mm	500 mm
	RPM/Torque pr screw	12rpm/15.000 Nm	12rpm/15.000 Nm	12rpm/15.000 Nm
	Material	Steel	Steel	Steel
<b>GEARMOTOR</b>	Number	2	4	6
	Electrical data	18,5 kW, 400 V	18,5 kW, 400 V	18,5 kW, 400 V
	Connection	50 Hz, 58 Amp	50 Hz, 58 Amp	50 Hz, 58 Amp